

EN3® RIGHT-ANGLE WEATHERTIGHT CONNECTORS

Features and Benefits

- Patented grommet and "O" ring free design allows for quick assembly
- Gold plated pins and contacts with an integrated design ensures reliable and uninterrupted connectivity
- The only IP68 rated right angle PCB mount connector on the market
- No intermediate PC board
- Available in 2 through 6 pin female and 2 through 8 pin male - 20 AWG pins and contacts only
- EN3® products are currently used in marine, medical, food service, transportation, GPS and general electronic applications

Product Specifications

Materials

Panel Connector Shells & Locking Nut: Thermoplastic polymer, glass fiber, flame retardant

Connector Shell Interior: Thermoplastic rubber

Contacts: Copper base alloy gold-plated over nickel underplating

Mechanical

Shock: Mil-Std 202 Method 213B, condition K

Vibration: Mil-Std 202 Method 201

Life: 600 insertion/withdraw cycles (minimum)

Electrical

Voltage Rating: Tested at 600 VRMS

Insulation Resistance: 100 megohms (minimum) at 77° F

Contact Resistance: 10 milliohms (maximum)

Current Rating: 6.5 Amps (#20 contact) - 7 and 8 pin
7.5 Amps (#20 contact) - 2 through 6 pin

Environmental

Temperature Limits: -40° C to +65° C (non-operating)

Moisture Resistance: Mil-Std 202 Method 106F

Insulation Resistance: Mil-Std Method 302 condition B

Thermal Shock: Mil-Std 202 Method 107G

Salt Spray: Mil-Std 202 Method 101D condition B

Product Ratings

IP16/IP18 (Unmated EN3 Product)

IP66/IP68 (Mated EN3 Product)

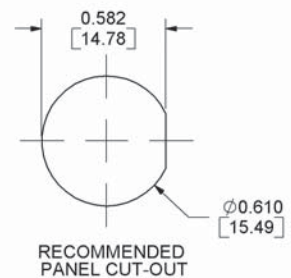
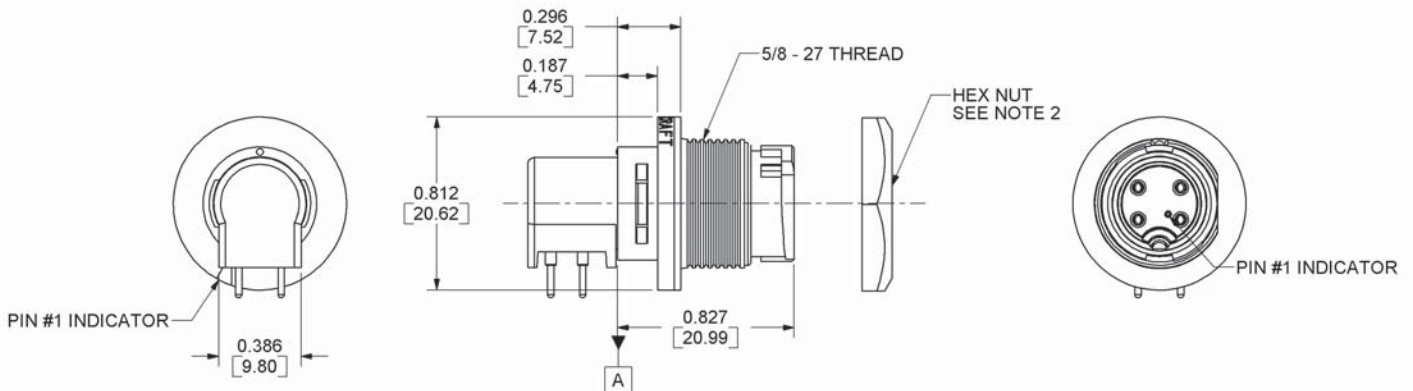
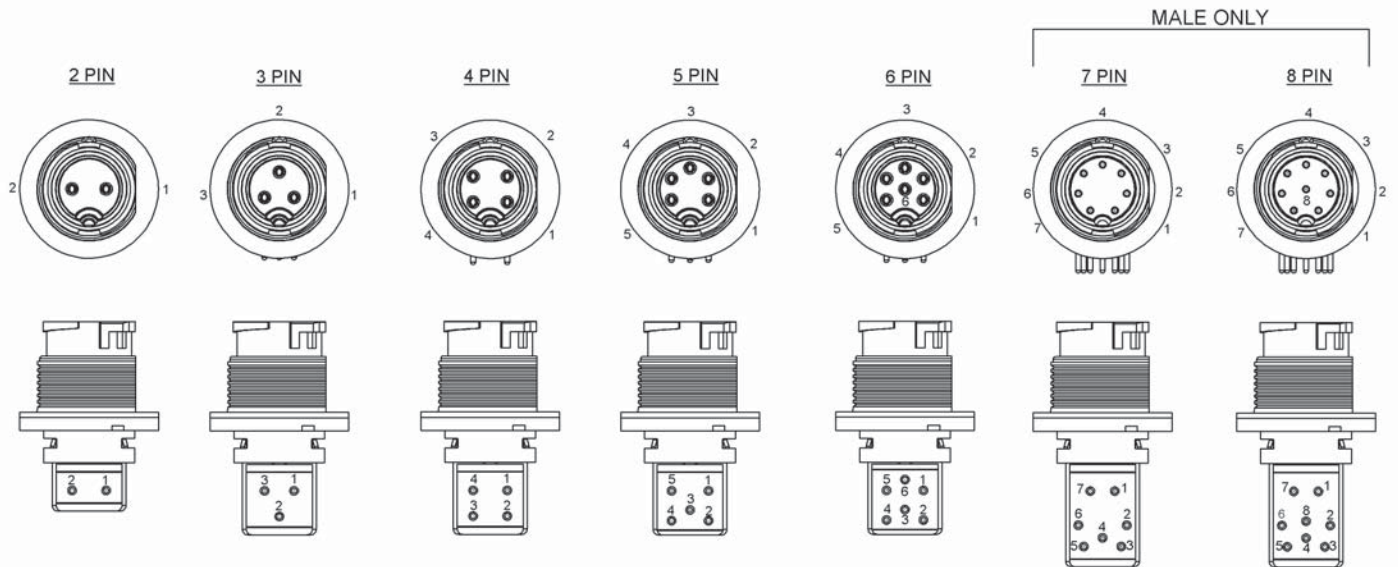
NEMA 250 (6P)

CFR 46 Part 110.20

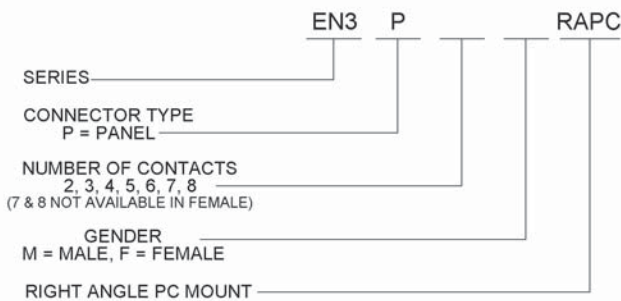
UL 94V-0



EN3[®] RIGHT-ANGLE WEATHERTIGHT CONNECTORS

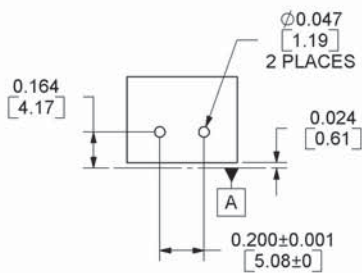


Part Numbering Chart

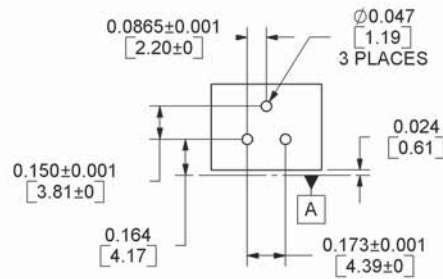


NOTES:

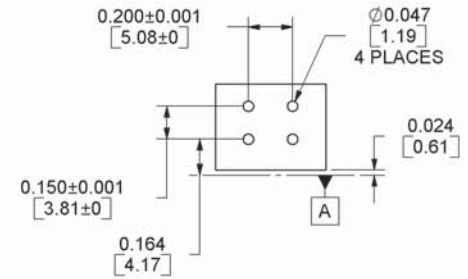
- CONTACT SIZE: #20 AWG
- HEX NUT TORQUE: 8 TO 10 INCH-LBS.



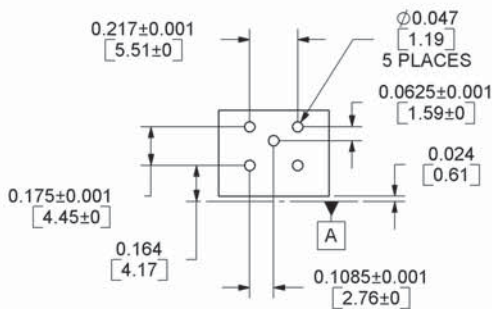
2 PIN MALE/FEMALE
RECOMMENDED PC BOARD LAYOUT
(COMPONENT SIDE)



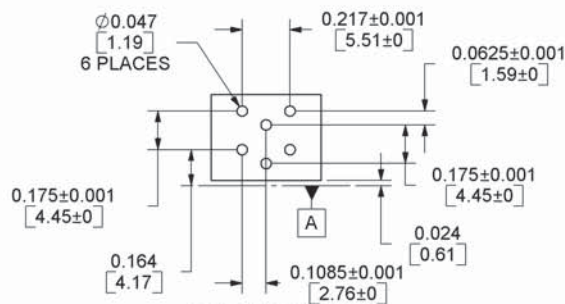
3 PIN MALE/FEMALE
RECOMMENDED PC BOARD LAYOUT
(COMPONENT SIDE)



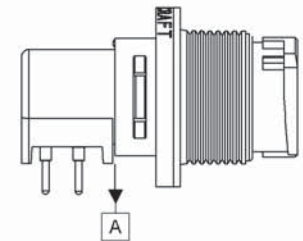
4 PIN MALE/FEMALE
RECOMMENDED PC BOARD LAYOUT
(COMPONENT SIDE)



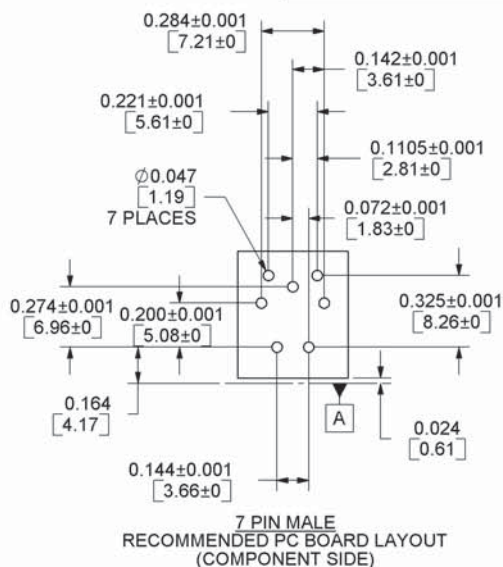
5 PIN MALE/FEMALE
RECOMMENDED PC BOARD LAYOUT
(COMPONENT SIDE)



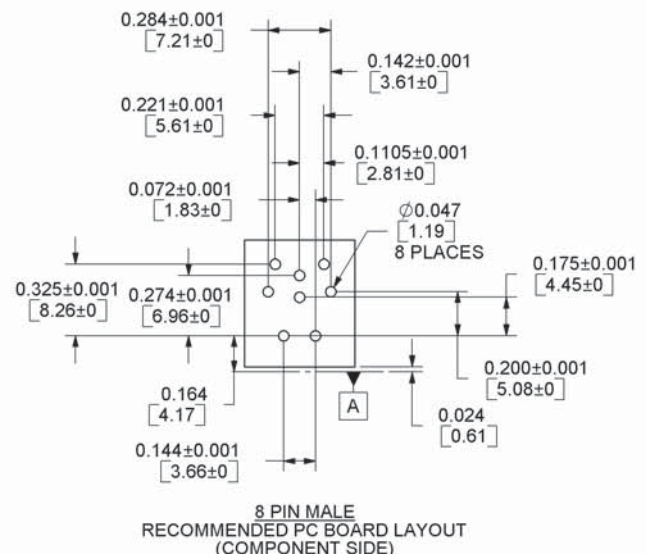
6 PIN MALE/FEMALE
RECOMMENDED PC BOARD LAYOUT
(COMPONENT SIDE)



7 & 8 PIN NOT AVAILABLE IN FEMALE CONNECTOR



7 PIN MALE
RECOMMENDED PC BOARD LAYOUT
(COMPONENT SIDE)



8 PIN MALE
RECOMMENDED PC BOARD LAYOUT
(COMPONENT SIDE)

Switchcraft[®]

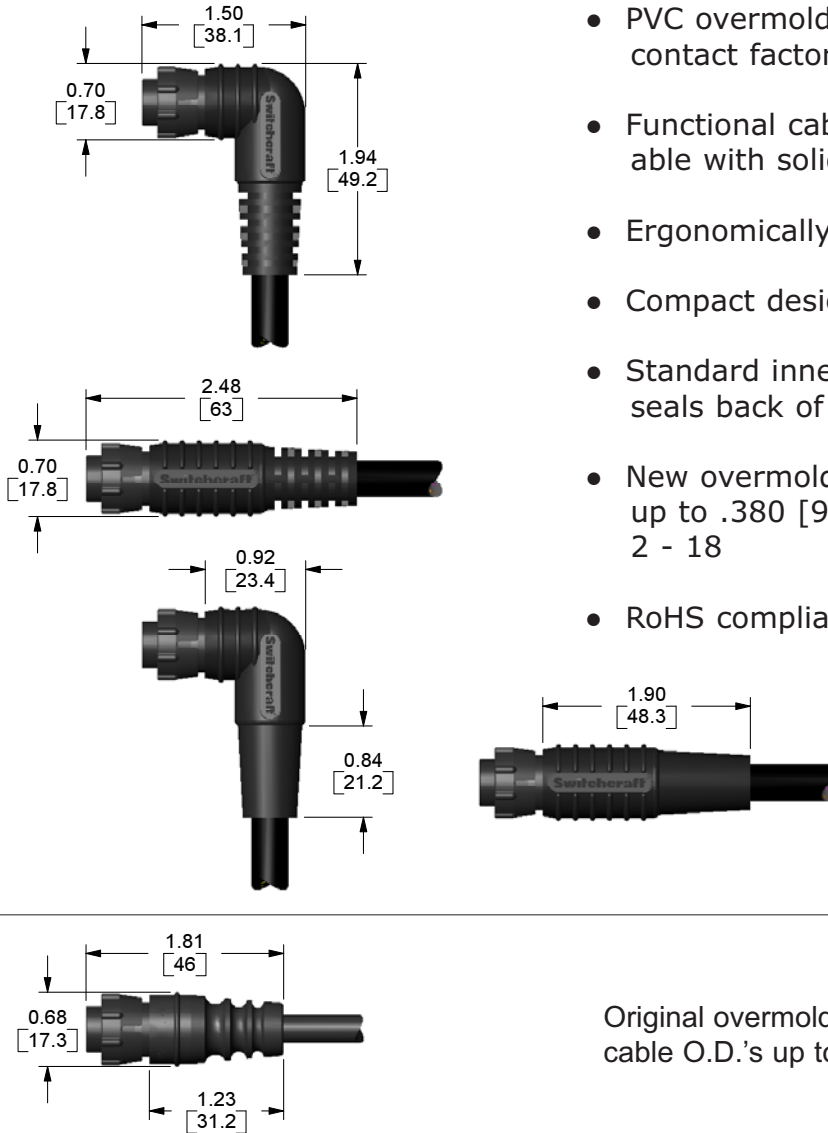
www.switchcraft.com

5555 North Elston Avenue / Chicago, IL 60630
Phone: 773-792-2700 / Fax: 773-792-2129

New EN3® Overmold Options

Features and Benefits

- Standard overmold color is black
- PVC overmold available in colors - contact factory for price and availability
- Functional cable flex relief, also available with solid tapered end
- Ergonomically designed handle
- Compact design with small profile
- Standard inner pre-mold completely seals back of connector
- New overmolds accept cable diameter up to .380 [9.6] nom. with pin counts 2 - 18
- RoHS compliant



Original overmold design still available for cable O.D.'s up to 0.310" [7.9].

All dimensions for reference only.

Switchcraft®

www.switchcraft.com

5555 North Elston Avenue / Chicago, IL 60630
Phone: 773-792-2700 / Fax: 773-792-2129