

# Switchcraft®

## EN3® Mini Harsh Environment Overmolds



EN3® Quick Disconnect



EN3® Right Angle  
Cord Overmold



EN3® Straight Cord  
Overmold

## EN3® Mini Harsh Environment Overmolds

Switchcraft® is pleased to announce the latest overmold options for the EN3® line of products. The three new EN3® options have a rugged construction making these overmolded connectors perfect for harsh environments. The EN3® Quick Disconnect quickly snaps into place again and again while providing a watertight seal. It makes the perfect option for mobile equipment, such as monitoring equipment or outdoor lighting. The new cord overmold options provide a more slim line overmold option for protection from harsh environments and excellent flex relief.

For more information, visit [www.switchcraft.com/products/connectors-28.html](http://www.switchcraft.com/products/connectors-28.html)

**Switchcraft®**

**www.switchcraft.com**  
5555 N. Elston Avenue, Chicago, IL 60630  
Phone: 773-792-2700 - Fax: 773-792-2129



Made In USA

# Switchcraft®

## EN3® Mini Harsh Environment Overmolds

INTRODUCING THREE NEW EN3® MINI HARSH ENVIRONMENT OVERMOLDS



**Quick Connect/Disconnect  
Mating Cord to In-Line Overmolds**

### FEATURES AND BENEFITS

Available in three ergonomic design styles:

- Quick Connect/Disconnect
- Right-Angle
- Straight

Durable 360° flex cable strain relief

IP68 rated

Accommodate cable O.D. up to 0.380" (9.6mm)

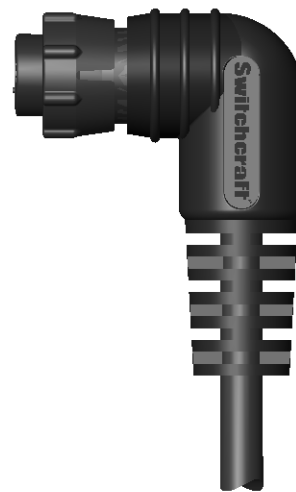
Overmold material available in rigid PVC or Santoprene®

Overmolding available in all standard EN3® Series connector styles and contact configurations

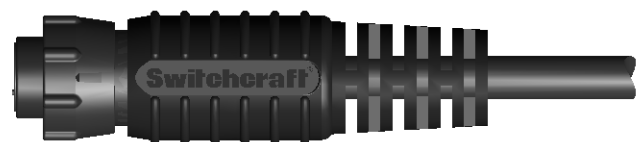
2 - 18 contacts available

Right-Angle overmold available in 3, 6, 9, and 12 o'clock cable orientations

Standard EN3® Series connector specifications



**Right-Angle Cord Overmold**



**Straight Cord Overmold**

## Switchcraft®

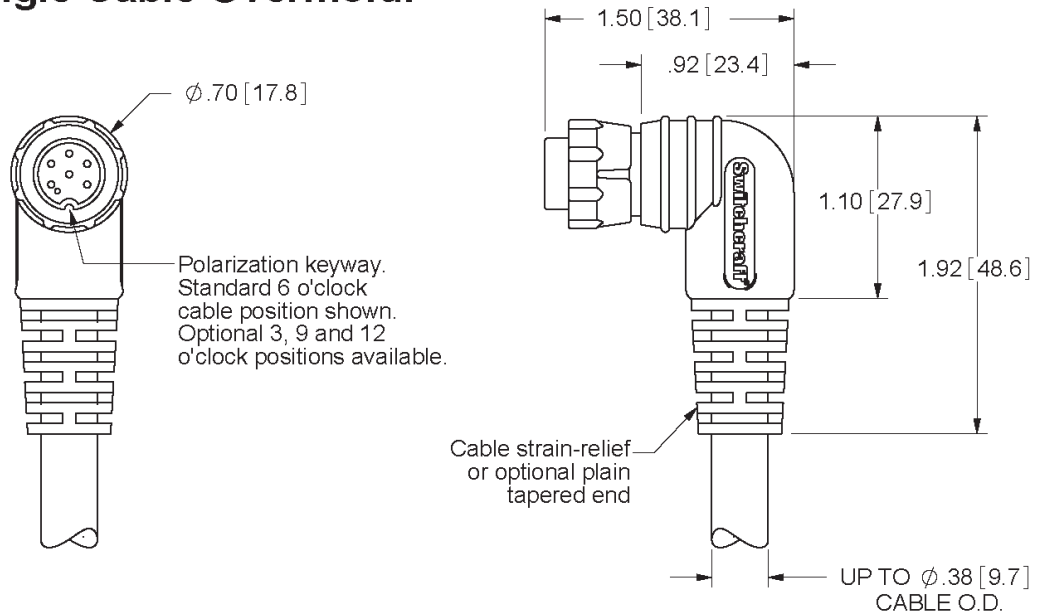
[www.switchcraft.com](http://www.switchcraft.com)  
5555 N. Elston Avenue, Chicago, IL 60630  
Phone: 773-792-2700 - Fax: 773-792-2129



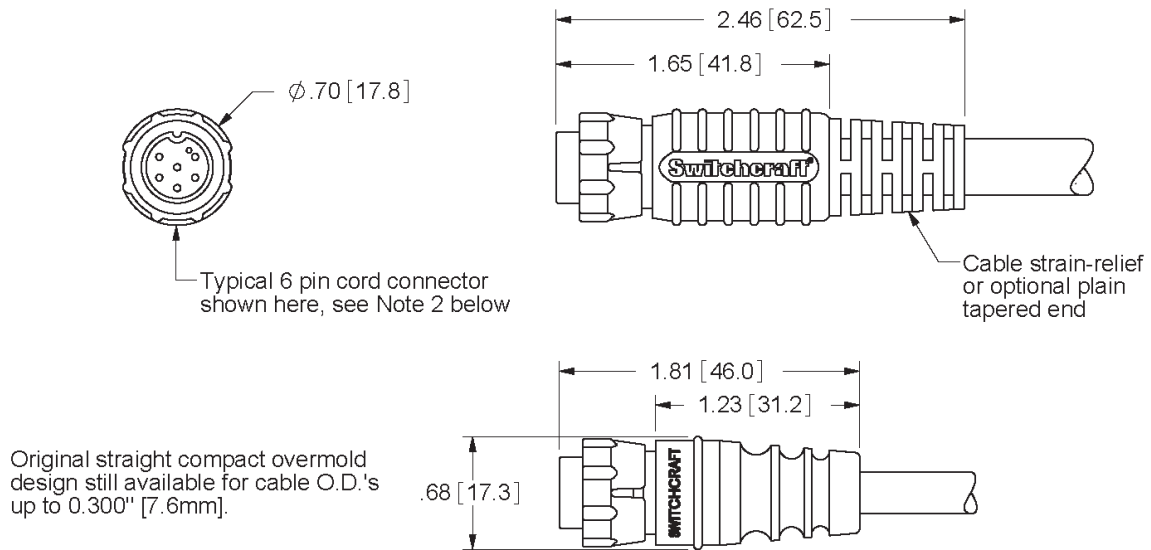
# Switchcraft®

## EN3® Mini Harsh Environment Overmolds

### Right-Angle Cable Overmold:



### Straight Cable Overmold:



**Notes:**

1. Only Cord connector shown here. In-Line connector also available in straight or right-angle overmold.
2. Refer to EN3® Mini Weather-tight Connector Series for all available connector styles and pin configurations.
3. All dimensions for reference only.

**Switchcraft®**

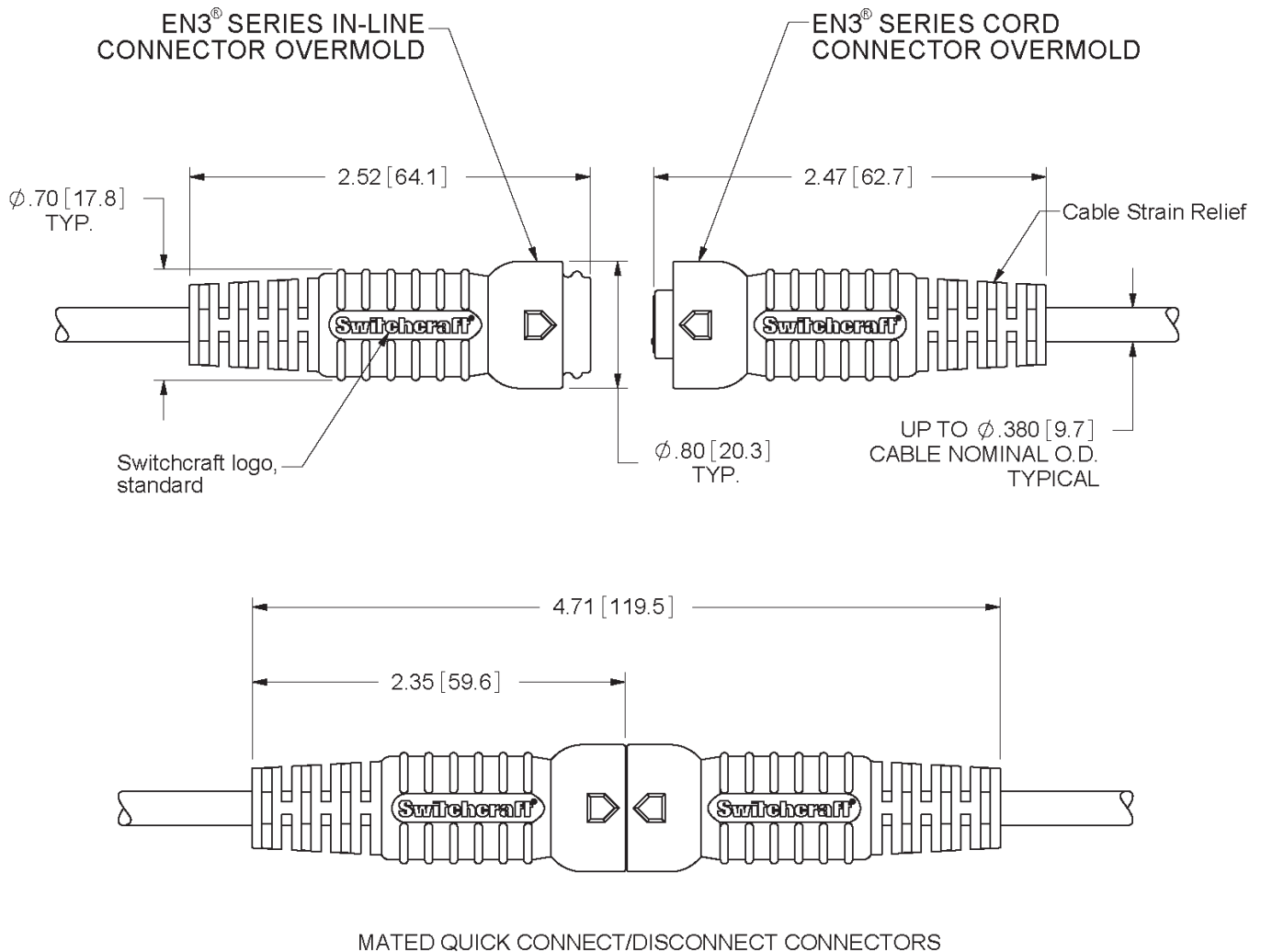
**www.switchcraft.com**  
 5555 N. Elston Avenue, Chicago, IL 60630  
 Phone: 773-792-2700 - Fax: 773-792-2129



# Switchcraft®

## EN3® Mini Harsh Environment Overmolds

### Cord to In-Line Quick Connect/Disconnect Overmold:



MATED QUICK CONNECT/DISCONNECT CONNECTORS

#### Notes:

1. Refer to EN3® Mini Weather-tight Connector Series for all available pin configurations.
2. Overmold material available only in Santoprene®. Black color is standard. Other color available.
3. IP68 rated Cord connector overmold mated to In-line connector overmold shown here. Cord Connector overmold mated to Panel mount connector (not shown here) is not IP68 rated.
4. All dimensions for reference only.

**Switchcraft®**

**www.switchcraft.com**  
5555 N. Elston Avenue, Chicago, IL 60630  
Phone: 773-792-2700 - Fax: 773-792-2129

